



## GA Series

### Variable Area Flowmeter

- 전원 장치 없이 사용하는 현장 지시 유량계
- 전단 or 후단에 벨브 설치 가능 / 알람 기능 선택적으로 제공
- 유체의 순간 흐름 쉽게 확인 가능 (거품, 색상 등)

## PA-60 Series General Specifications

<b>Size</b>	8A(1/4") ~ 25A(1")
<b>Process Connection</b>	Flange type - KS / JIS / ANSI / ASME / DIN Std Flange or Screw
<b>Measured Fluid</b>	Gas and Liquid
<b>Range Ability</b>	10 : 1
<b>Accuracy</b>	±2.0 % F.S
<b>Fluid Temperature</b>	Max 120 °C
<b>Max. Pressure</b>	Max. 10 kgf/cm <sup>2</sup> .G

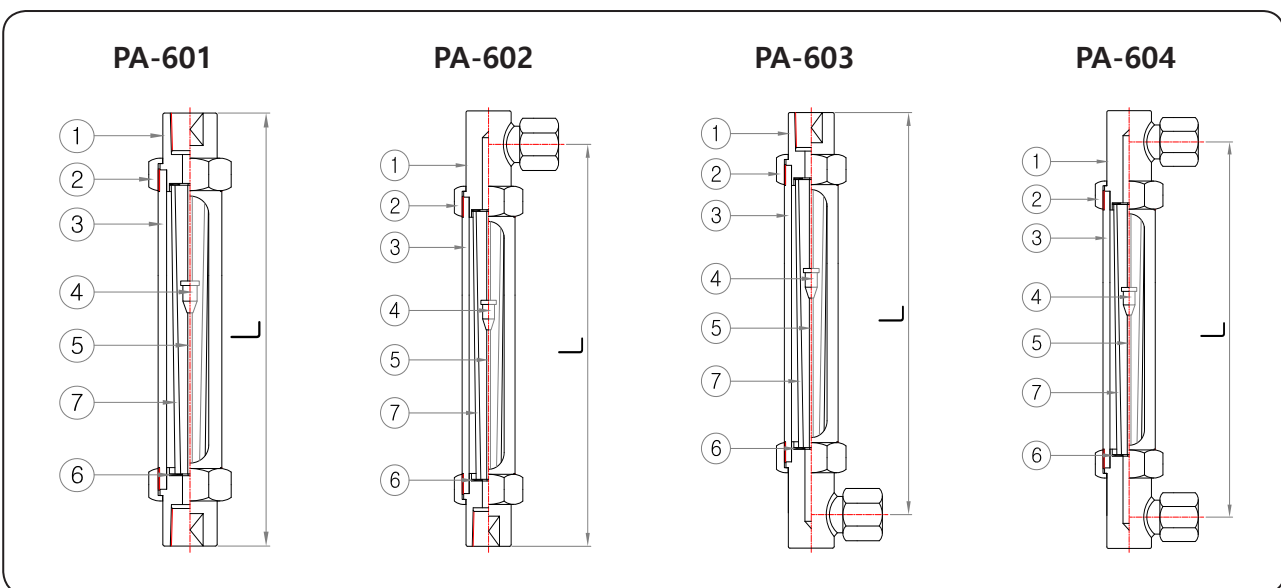
## MODEL CODE

PA - 60	-	□	-	□	Specification
		1			Bottom to Top
		2			Bottom to Top side
		3			Bottom side to Top
		4			Bottom side to Top side
				A	Alarm Switch (High, Low)
				F	Flange
				V	Valve

## STANDARD MATERIAL

No.	Description	Material		
1	Body	304SS	316SS	316LSS
2	Cap	ALUMINUM		
3	Case Tube	ALUMINUM		
4	Float	304/316/316LSS, PVC, ACETAL, PTFE		
5	Guide Bar	304SS, 316LSS, PTFE LINER		
6	Packing	NBR, EPDM, SILICON, FKM, PTFE		
7	Taper Tube	PYREX GLASS		

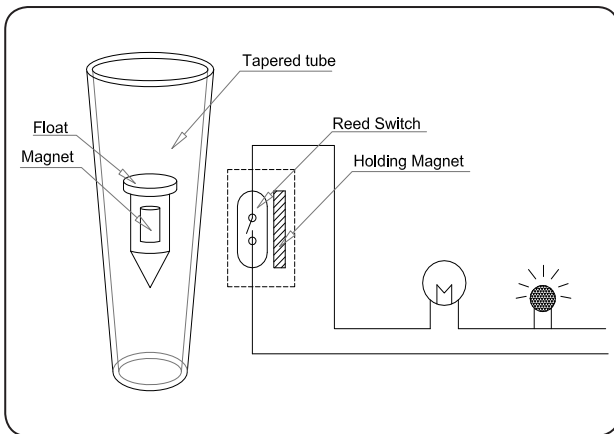
## STRUCTURAL DRAWING



## DIMENSIONS

Size		Type	PA - 601	PA - 602 / 603	PA - 604
8A	S	PT 1/4B	240	240	240
10A	S	PT 3/8B	240	315	310
15A	S	PT 1/2B	240	235	240
	L		320	315	310
20A	S	PT 3/4B	240	235	240
	L		320	315	310
25A	S	PT 1B	320	315	310
	L		400	395	390

## ALARM OUTPUT UNIT (REED SWITCH TYPE)



<b>Contact Reed switch</b>	Self holding type
<b>Max. Contact capacity</b>	AC 10 VA DC 10 W
<b>Max. Voltage</b>	AC 125 V DC 100 V
<b>Max. Temperature</b>	-10 °C ~ 60 °C
<b>Cable length</b>	1 m